



▶▶ NEUMANN.BERLIN

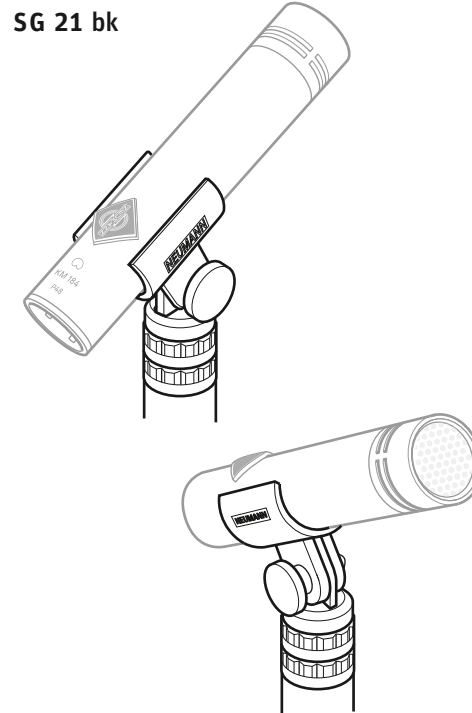
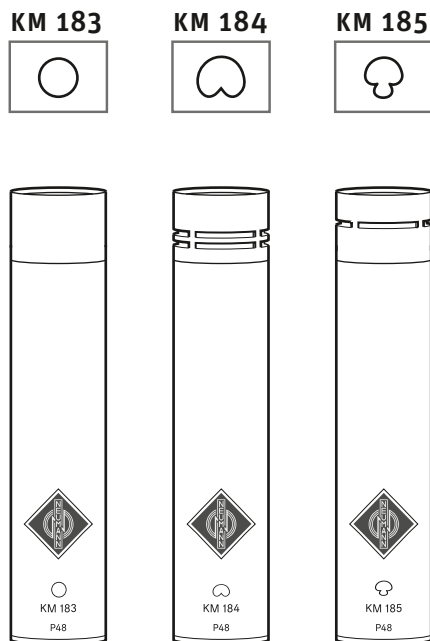
- ▶ KM 183
- ▶ KM 184
- ▶ KM 185



Quick Guide
Kurzanleitung
Guide rapide
Guía rápida
Guía de inicio rápido
Pikaohje
Γρήγορος οδηγός
Kısa Kılavuz
Краткая инструкция

Guia rápido
Beknopte handleiding
Krótka instrukcja obsługi
Snabbguide
Kort vejledning
快速指南
クイックガイド
퀵 가이드

PUBL_09/20 - 587404/A01



Instruction manual |
Bedienungsanleitung |
Notice d'emploi |
Istruzioni per l'uso |
Instrucciones de manejo |

Manual de instruções | Gebruiksaanwijzing | Instrukcja obsługi | Bruksanvisning | Betjeningsvejledning | Käyttöohje | Οδηγίες λειτουργίας | Kullanım kılavuzu | Инструкция по эксплуатации | 使用说明书 | 取扱説明書 | 사용 설명서 |

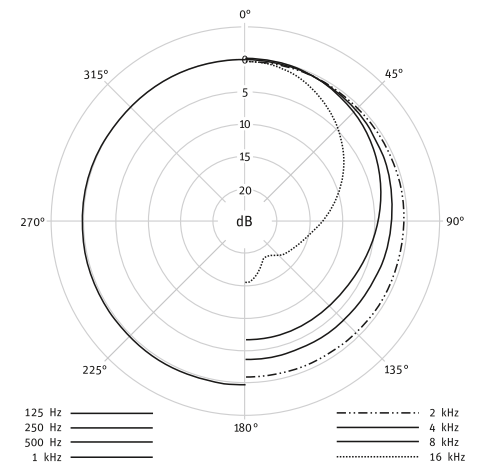
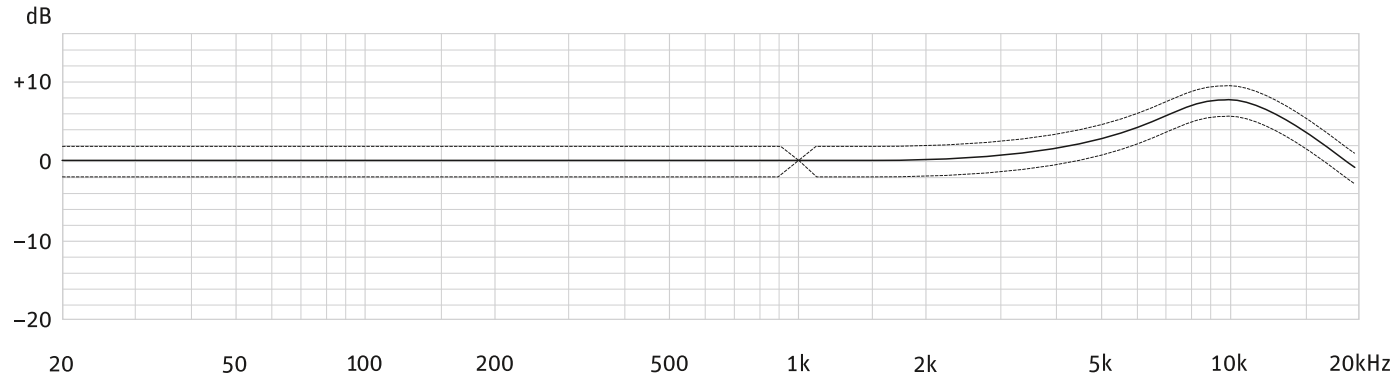
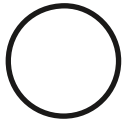
www.neumann.com | KM 183
www.neumann.com | KM 184
www.neumann.com | KM 185

Specifications	KM 183	KM 184	KM 185
Acoustic operating principle	Pressure transducer	Pressure gradient transducer	Pressure gradient transducer
Directional pattern	Omnidirectional	Cardioid	Hypercardioid
Frequency response	20 Hz - 20 kHz	20 Hz - 20 kHz	20 Hz - 20 kHz
Sensitivity at 1 kHz into 1 kΩ	12 mV/Pa \cong -38.5 dBV \pm 1 dB	15 mV/Pa \cong -36.5 dBV \pm 1 dB	10 mV/Pa \cong -40 dBV \pm 1 dB
Rated impedance	50 Ω	50 Ω	50 Ω
Rated load impedance	1000 Ω	1000 Ω	1000 Ω
Signal-to-noise ratio, CCIR ¹⁾ (rel. 94 dB SPL)	70 dB	72dB	70 dB
Signal-to-noise ratio, A-weighted ¹⁾ (rel. 94 dB SPL)	81 dB	81 dB	79 dB
Equivalent noise level, CCIR ¹⁾	24 dB	22 dB	24 dB
Equivalent noise level, A-weighted ¹⁾	13 dB-A	13 dB-A	15 dB-A
Maximum SPL for THD 0.5% ²⁾	140 dB	138 dB	142 dB
Maximum output voltage	10 dBu	10 dBu	10 dBu
Supply voltage (P48, IEC 61938)	48 V \pm 4 V	48 V \pm 4 V	48 V \pm 4 V
Current consumption (P48, IEC 61938)	3.2 mA	3.2 mA	3.2 mA
Matching connector	XLR3F	XLR3F	XLR3F
Weight	approx. 80 g	approx. 80 g	approx. 80 g
Diameter	22 mm /	22 mm /	22 mm /
Length	107 mm	107 mm	107 mm
Operating temperature range	0 °C - +70 °C (32 °F - 158 °F)	0 °C - +70 °C (32 °F - 158 °F)	0 °C - +70 °C (32 °F - 158 °F)
Storage temperature range	-20 °C - +70 °C (-4 °F - 158 °F)	-20 °C - +70 °C (-4 °F - 158 °F)	-20 °C - +70 °C (-4 °F - 158 °F)
Humidity range	max. 90 % at +20 °C	max. 90 % at +20 °C	max. 90 % at +20 °C

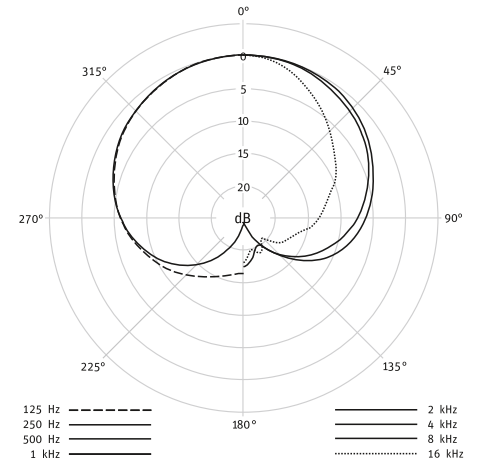
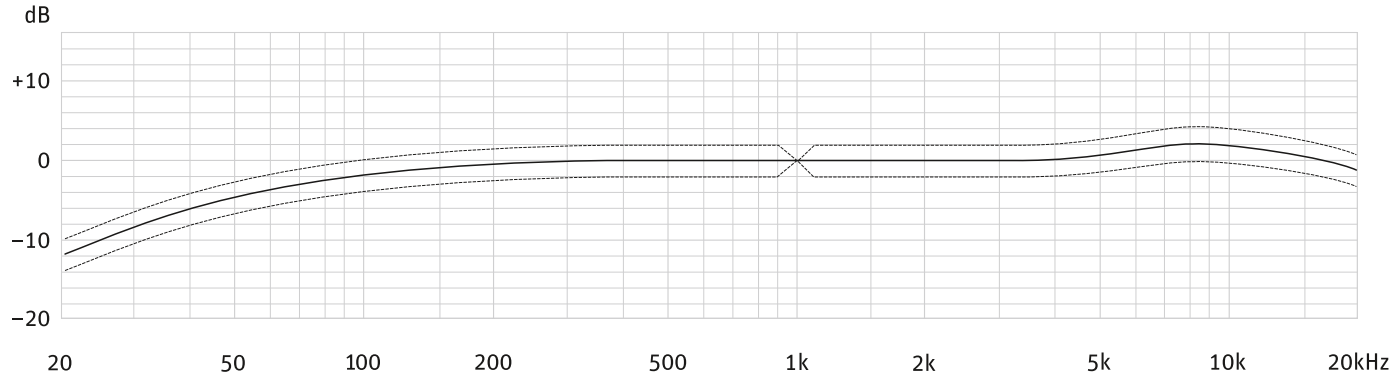
¹⁾ according to IEC 60268-1; CCIR-weighting according to CCIR 468-3, quasi peak; A-weighting according to IEC 61672-1, RMS

²⁾ measured as equivalent el. input signal

KM 183



KM 184



KM 185

